



Km.0 s.r.l.
Via 3 Novembre 51
40042 Lizzano in Belvedere (BO)
Tel. 0534 51419 Cell. 334 6117870

ENCLOSURE A

NP 500 D TORTELLINI GR. 2-2,2





Km.0 s.r.l.
Via 3 Novembre 51
40042 Lizzano in Belvedere (BO)
Tel. 0534 51419 Cell. 334 6117870

TECNICAL DATA

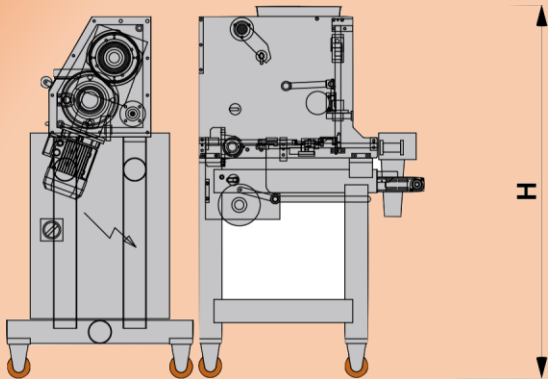
APPLIED STANDARD	CE
NOISE EMISSION LEVELS	< 80 DB (a)
OPERATION	Elettromechanical
OPERATORS REQUIRED	1
POWER SUPPLY	3X400 Volts-50 Hz +Terra
VOLTAGE VARIATION	+/- 5%
NEUTRAL	NO
AUXILIARI TENSION	24 Volts c.c.
INSTALLED POWER	4,1 Kw
OPERATING PRESSURE	5 / 6 bar
COMPRESSED AIR CONS.	80 NI/min
WATER	not required
FOUNDATION	not required
LUBRIFICATION	Grease manual
TOTAL MACHINE WEIGHT	1.550 Kg.

CA500 CALIBRATION

WIDTH SHEET	500 mm
CALIBRATION ADJUSTEMENT	thin sheets
RATE PRODUCTION	300 kg/ora

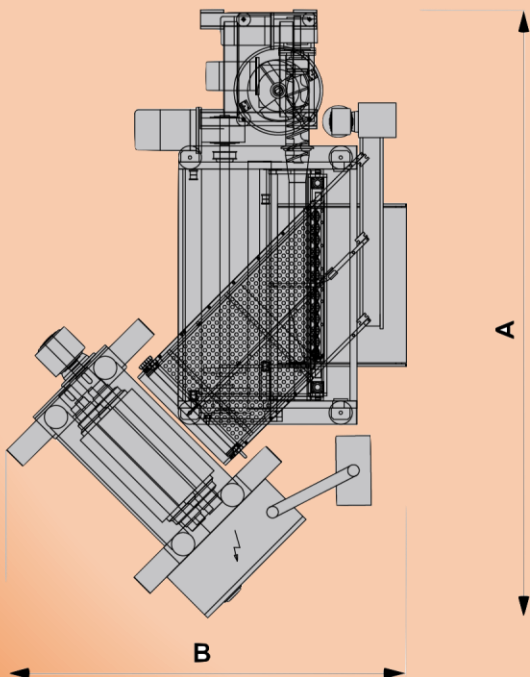
RAROO LOADING STUFFING

POWER SYSTEM	worm screw
QUNATITY STUFFING	external continuos
DOSAGE REGULATION	single figure
MINIMUM LOAD	10 kg.



WORK CICLE

The operation has been conceived to guarantee the maximum efficiency of pasta sheet usage.....



TB 500-13F1 Tortellino Format

CUT/IMPRINT DIMENSION	35X35 mm (smooth)*
FINISHED TORTELLINO WEIGHT	da 1,8 a 2,2 gr.
IMPRESSION OF NUMBER	13 diagonal patented
BEAT FOR REPLAC. PRODUCTS	13
RATE PRODUCTION	up to 150 kg./h

* A request can be ragged

TB 500-13F1 Tortellino Format

CUT/IMPRINT DIMENSION	44X44 mm (smooth)*
FINISHED TORTELLINO WEIGHT	da 3,5 to 4 gr.
IMPRESSION OF NUMBER	10 diagonal patented
BEAT FOR REPLAC. PRODUCTS	10
RATE PRODUCTION	up to 220 kg/ora

* A richiesta può essere frastagliato

OVERALL DIMENSION

<u>A</u>	<u>2.620 mm</u>
<u>B</u>	<u>1.730 mm</u>
<u>H</u>	<u>1.600 mm</u>

Warning: teh value indicated are only approximate and may not, Therefore, be considered binding.